

Economic AC Servo Traversing Robot



BRA700/900 Series traversing robot arm is applicable to all types of horizontal injection machine ranges of 100~300 for take-out products and sprues. Vertical arm is telescopic type, with product arm and runner arm, for two plate or three plate mold products take out. Traverse axis driven by AC servo motor. After installed this robot, the productivity will be increased 10~30%, reduce defective rate, ensure safety of operators, reduce manpower and accurately control the output to reduce waste.



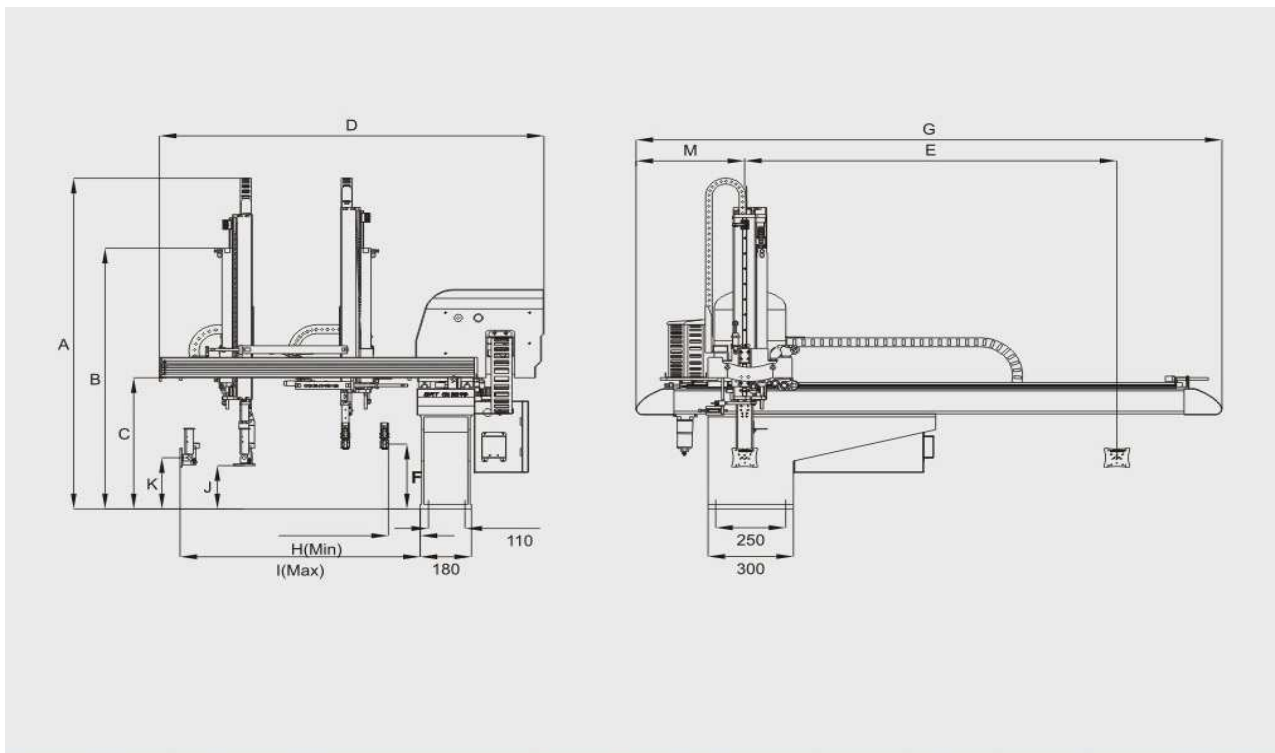
CONTROLLER

- > Palm controller with dialogue type operation interface, the display language is changeable, easy for learn.
- > Eight sets built-in programs, with L/U take out function.

Specifications

Model	Power Source (KVA)	Recommended I.M.M (ton)	Traverse Stroke (mm)	Traverse Driven	Crosswise Stroke (mm)	Vertical Stroke (mm)	Max. Loadinf (kg)	Dry Take Out Time (sec)	Dry Cycle Time (sec)	Air Consumption (NI/cycle)	Net Weight (kg)
BRA700 WDY/WSY	0,6	100T-200T	1300	AC Servo motor	P:300 R:125	700	3	1,6	8,5	22,0	145-200
BRA900 WDY/WSY		200T-320T	1300		900	3	1,8	10,5	25	150-230	

Outer Dimensions



Model	A	B	C	D	E	F	G	H	I	J	K	M
BRA700WDY	1240	980	510	1250	1300	220	2050	125	700	170	200	400
BRA900WDY	1360	1080		1370	1300				810			