

High Precision Two-axis/Three-axis/Five-axis AC Servo Traversing Robot



BRC1400~2200 Series is applicable to all types of horizontal injection machine ranges of 650~2200T for take-out products and sprues. Vertical arm is telescopic type, with single arm and double arms, suitable for three plate mold products take out. Each axis can be driven by AC servo motor. After installed this robot, reduce manpower and accurately control the output to reduce waste.



CONTROLLER S3, S5

- > 8 inch color touch screen
- > Micro-computer control system, strong ability of anti-interference, stable production and fast counting
- > Each axis with the function of acceleration and deceleration
- > Moulding memorizing function, it can be set fast while exchanging the mould, convenient for production and increase efficiency

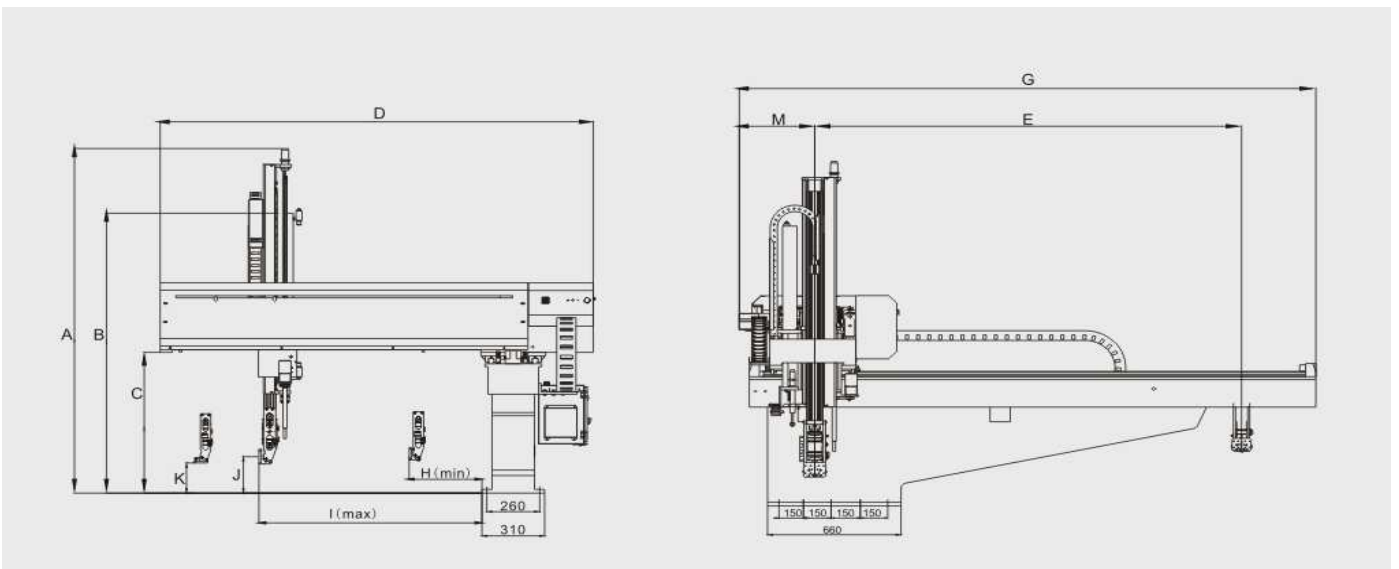
CONTROLLER

- > Palm controller with dialogue type operation interface, the display language is changeable, easy for learn
- > Eight sets built-in programs, with L/U take out function
- > Applicable to all types of products take out.
- > Traverse stroke can be used to place products in multiple points (99 points at most) to stracking products.

Specifications

Model	Power Source (KVA)	Recommended I.M.M (ton)	Traverse Stroke (mm)	Traverse Driven	Crosswise Stroke (mm)	Vertical Stroke (mm)	Max. Loadinf (kg)	Dry Take Out Time (sec)	Dry Cycle Time (sec)	Air Consumption (NI/cycle)	Net Weight (kg)
BRC1400 WSA-S2	1,9	650T-1000T	2200	AC Servo motor	1100	1400	15	1,5	12	70	500-580
BRC1800 WSA-S2		1000T-1600T	2700		1220	1800	20	1,8	14	80	1500-1800
BRC2200 WSA-S2		1600T-2200T	3000		1400	2200	35	2	16	90	2100-2600

Outer Dimensions



Model	A	B	C	D	E	F	G	H	I	J	K	M
BRC1400WSA-S2	1850	1500	775	2160	2200	—	3200	250	1400	200	160	370
BRC1800WSA-S2	2050	1700		2280	2550	—	3700	250	1520	200	160	450
BRC2200WSA-S2	2230	1900		2460	3000	—	4000	250	1700	200	160	500