

## CNC AC Servo Large Beam Robot



**BRTN Series** is applicable to all types of horizontal injection machine ranges of 650~4000T for take-out products and sprues. Three-axis driven by AC servo motor, take-out at super high-speed ( 1.5sec. ). Easy for E-O-A-T adjustment, long using life and low failure rate, applicable to take-out products with short forming cycle or complex automatic, such as auto products, washing machine and household appliance products take-out.



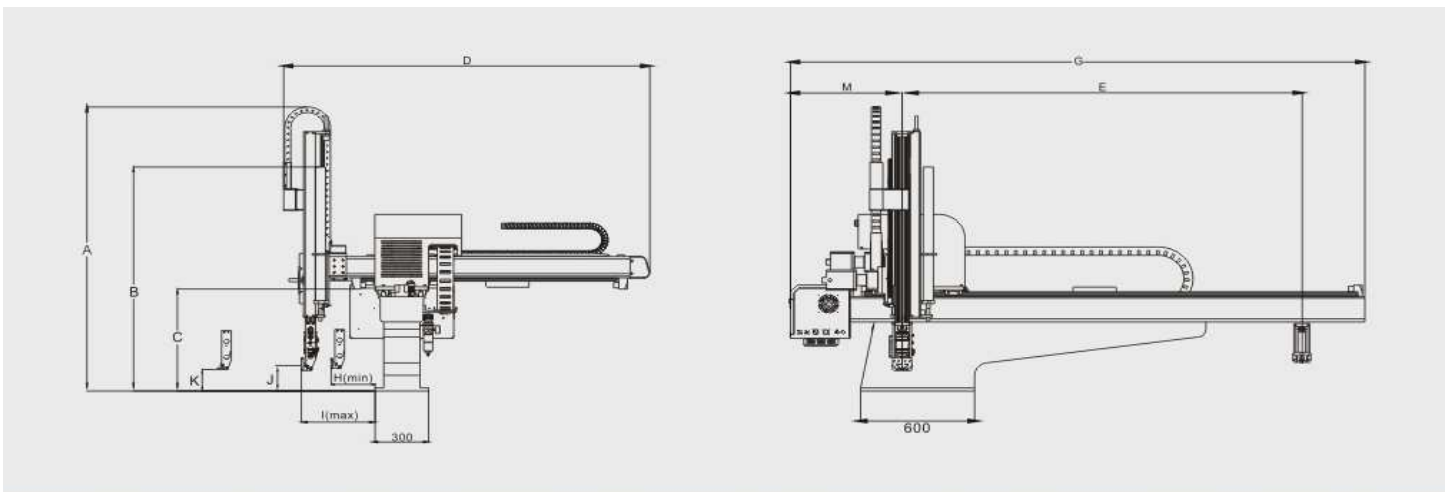
### CONTROLLER S3, S5

- > 8 inch color touch screen
- > Micro-computer control system, strong ability of anti-interference, stable production and fast counting
- > Each axis with the function of acceleration and deceleration
- > Moulding memorizing function, it can be set fast while exchanging the mould, convenient for production and increase efficiency

### Specifications

Model	Power Source (KVA)	Recommended I.M.M (ton)	Traverse Stroke (mm)	Traverse Driven	Crosswise Stroke (mm)	Vertical Stroke (mm)	Max. Loadinf (kg)	Dry Take Out Time (sec)	Dry Cycle Time (sec)	Air Consumption (NI/cycle)	Net Weight (kg)
BRTN1400WS-S3	2,8	650T-1000T	2200	AC Servo motor	300-1100	1400	20	1,8	14	80	700
BRTN1800WS-S3		1000T-1600T	2400		400-1300	1800		2,5	16	90	800
BRTN2200WS-S3	5	1600T-2200T	3000	AC Servo motor	500-1800	2200	40	2,8	20	100	1650
BRTN2600WS-S3	6	2200T-3000T	3200		550-2100	2600		3,5	25	110	2550
BRTN3000WS-S3/S5	10,5	3000T-4000T	4000		550-2200	3000	80	4,5	25	140	2800

### Outer Dimensions



Model	A	B	C	D	E	F	G	H	I	J	K
BRTN1400WS-S3	1800	1450	645	2170	2200	/	3400	350	1100	130	90
BRTN1800WS-S3	2000	1670	645	2310	2400	/	3600	350	1350	130	90
BRTN2200WS-S3	2250	1810	815	2760	3000	/	4310	350	1810	290	250
BRTN2600WS-S3	2510	2170	815	3050	3400	/	4750	350	2000	330	290
BRTN3000WS-S3	3300	2700	950	3400	4000	/	5000	450	2600	330	290